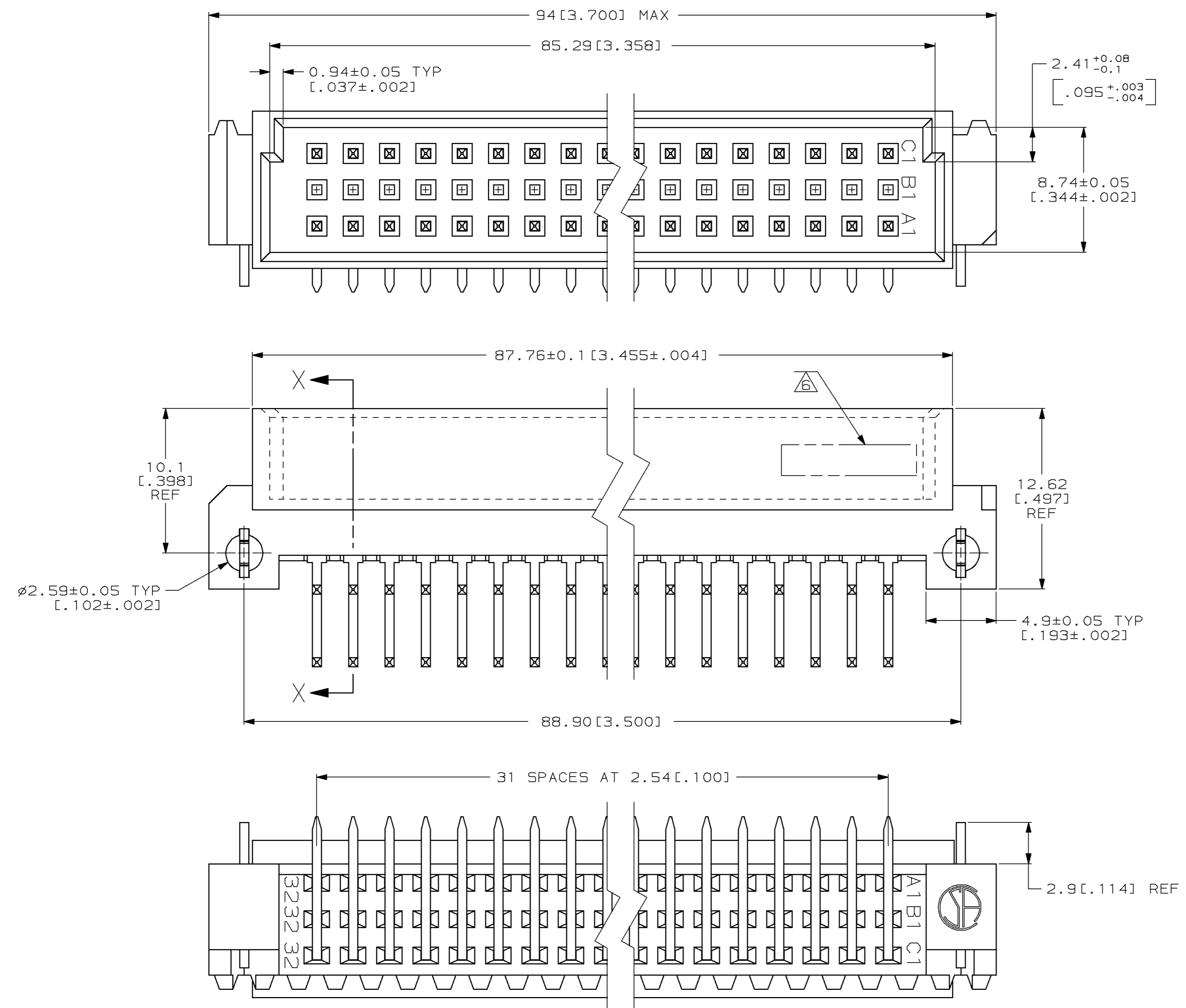
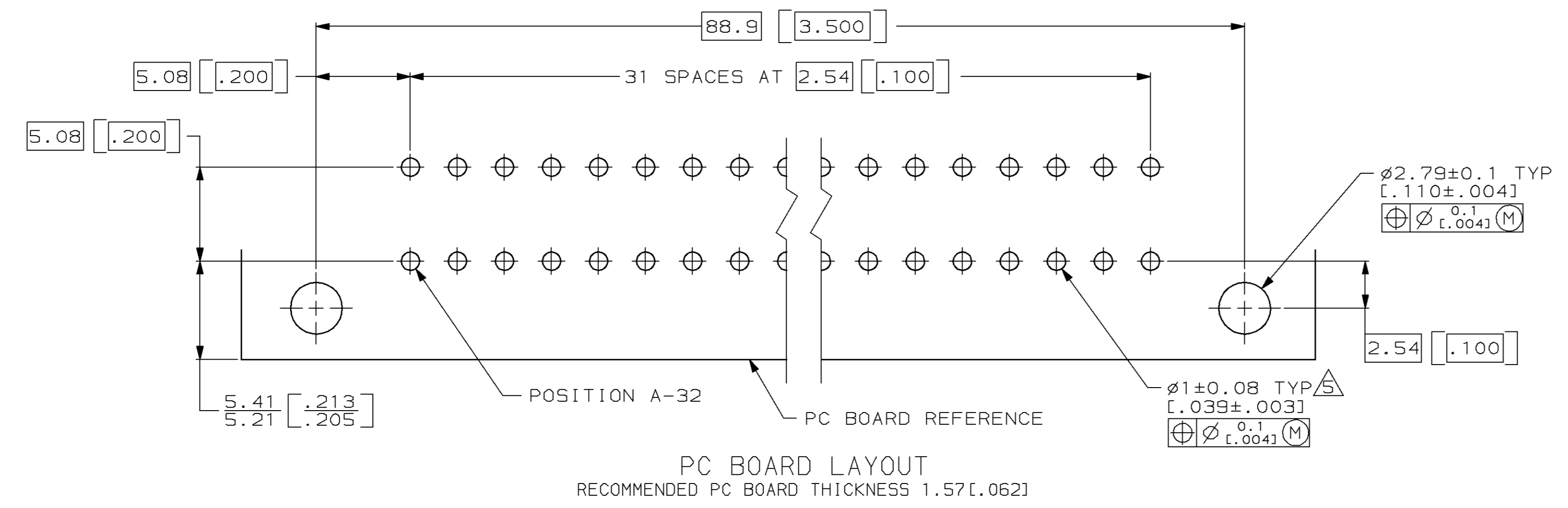
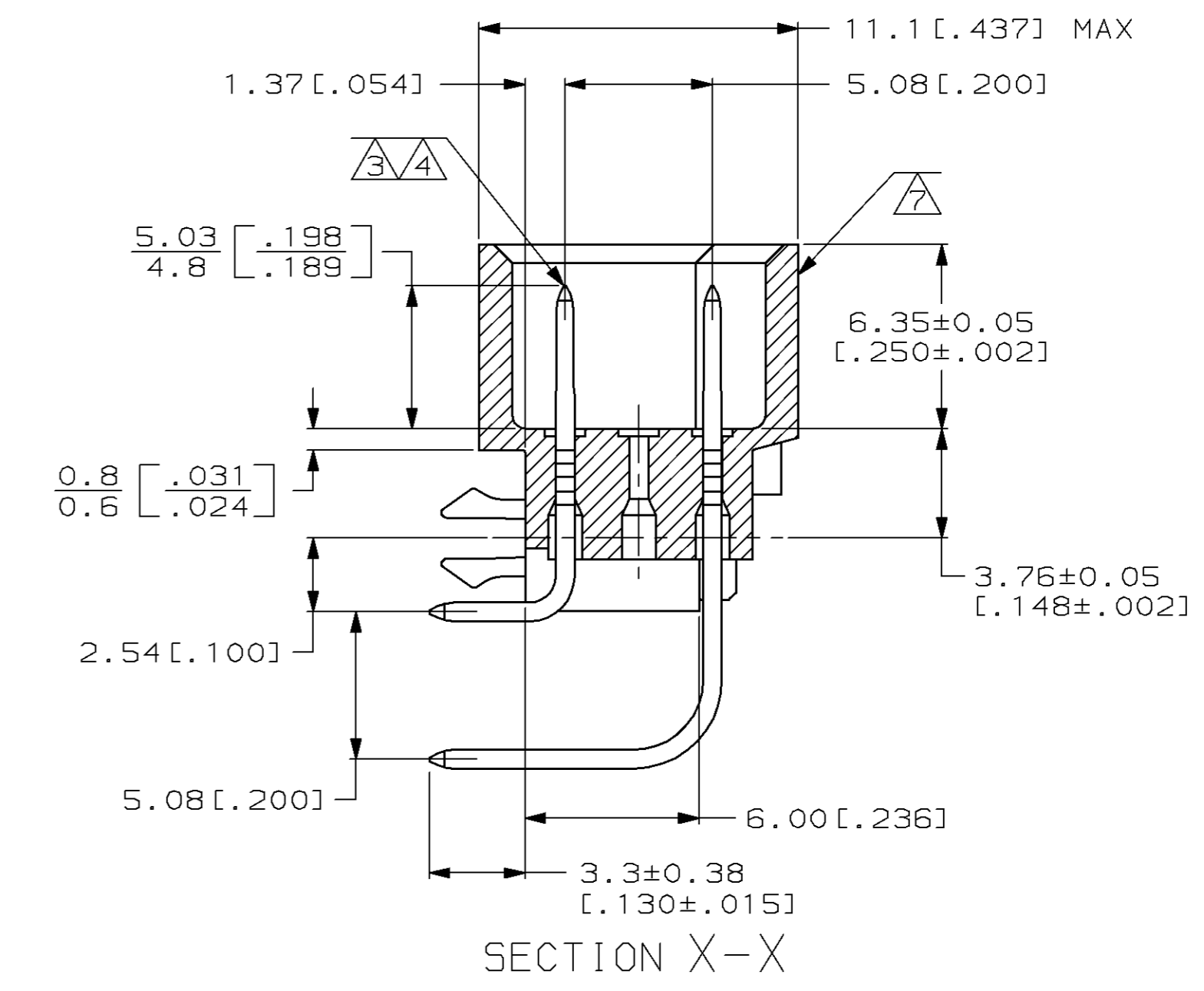


| LOC | | DIST | | P | | F | | ZONE | | LTR | | REVISIONS | | |
|-----|----|------|--|---|--|---|--|------|--|-----|--|-------------------|--------|------|
| AD | 25 | | | | | | | | | | | DESCRIPTION | DATE | APPD |
| | | | | | | | | | | | | C EC 0504-0052-96 | 7/7/97 | CR |



- 1 HOUSING MATERIAL: GLASS-FILLED POLYESTER. COLOR: GRAY.
- 2 POST MATERIAL: BRASS.
- 3 POST FINISH: DIN 41612 CLASS 2 IN CONTACT AREA. TIN-LEAD PLATE ON POSTS.
- 4 POST FINISH: DIN 41612 CLASS 3 IN CONTACT AREA. TIN-LEAD PLATE ON POSTS.
- 5 RECOMMENDED HOLE SIZE FOR MANUAL APPLICATION OF CONNECTOR ONTO PC BOARD.
- 6 [PART NUMBER, DATE CODE] MARKED THIS APPROXIMATE AREA.
- 7 MARKING ON THIS SIDE.



| NOTES | POSITIONS LOADED | C | B | A | NO. OF LOADED POSITION | ASSY PART NUMBER |
|------------------------|------------------|---|---|---|------------------------|------------------|
| SUPERSEDED BY 536406-5 | 1-32 | X | - | X | 64 | 536406-9 |
| | 1-32 | X | - | X | 64 | 536406-5 |

| DO NOT SCALE PRINT. UNLESS SPECIFIED DIMENSIONS IN mm [INCHES] | | PART NO | |
|---|------------------------------|--|-----------------|
| DR L. BRINER 11/20/92 | CHK R. PATTERSON 12/11/92 | AMP AMP Incorporated Harrisburg, PA 17105-3608 | |
| TOLERANCES ON: 1 PLC DEC ± - 2 PLC DEC ± 0.13 [0.005] ANGLES ± - | APPD R. PATTERSON 12/11/92 | NAME PIN ASSEMBLY, EUROCARD, TYPE "C" WITH BOARD-LOCKS | |
| MATERIAL HSG: 1 - POST: 2 - | APPD D.C. RUBENDALL 12/11/92 | SIZE D | CAGE CODE 00779 |
| FINISH POST: 3 4 - | APPLICATION SPEC - | DRAWING NO | 536406 |
| WEIGHT - | SCALE 5:1 | SHEET | 1 OF 1 |